



Data Scale

The WeighTech data scale features our industry leading MicroWeigh indicator and can function in line or stand alone. The data scale offers label printing functionality combined with weigh options, and features a printer for all of your labeling and inventory control needs.

Features:

- MicroWeigh indicator with permanently sealed electronic enclosure of high impact ABS alloy construction
- Durable stainless steel enclosure for printer protection
- Communications available in Infrared, RS-232, RS-485 and Bluetooth
- Wireless information retrieval using a hand held PDA or hard wired to a centralized data collection system

Advantages:

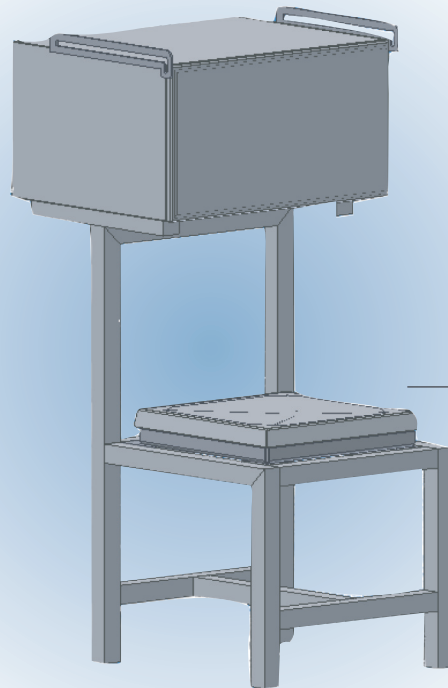
- Inline or standalone
- Flexibility
- Custom labeling
- Low maintenance
- Affordability



Options:

- Multi directional roller bed
- Hand held or barcode scanner
- Casters for portable operations

Stainless steel enclosure
for printer protection
during washdown



Multi directional roller bed
available

Polished stainless
steel construction

Performance:

Accuracy: + / - .01 lbs.

Washdown: IP69 K/NEMA 4

Operator Interface:

Key Pad: 5 button product keypad for multiple product codes

Physcial:

Weigh Platter: custom platter options

Tote check/Data scale option



Custom Platter Options

